

1

2

3

4

A

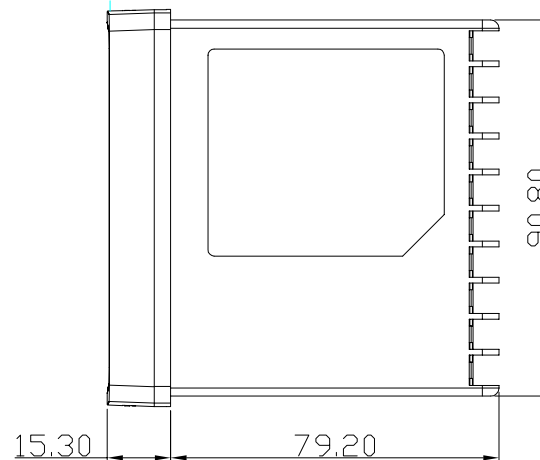
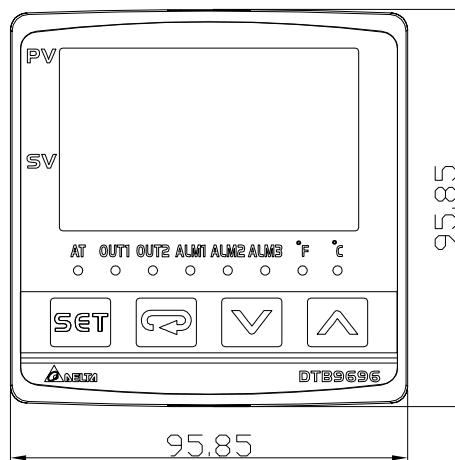
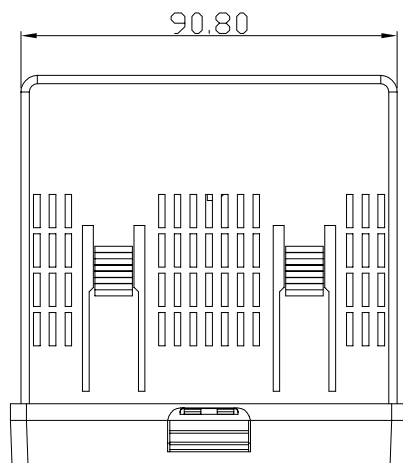
A

B

B

C

C



THESE DRAWINGS AND SPECIFICATIONS ARE THE PROPERTY OF DELTA ELECTRONICS, INC. AND SHALL NOT BE REPRODUCED OR USED AS THE BASIS FOR THE MANUFACTURE OR SELL OF APPARATUSES OR DEVICES WITHOUT PERMISSION.

**DIMENSIONAL TOLERANCES**

	( )	( )	( )	( )	ANGLES	
DECIMALS	<50 ±0.1	<50 ±0.15	<50 ±0.2	<30° ±0.1°	>30°~60° ±0.3°	>60°~90° ±0.5°
X	±0.3	>50~100 ±0.15	>50~100 ±0.2	>50~100 ±0.25		
X.X	±0.2	>100~200 ±0.2	>100~200 ±0.25	>100~200 ±0.3		
X.XX	±0.1	>200~ ±0.2%	>200~ ±0.25%	>200~ ±0.3%		

UNIT	mm	SCALE	F	SHEET 1 OF 1
------	----	-------	---	--------------

DRAWN:

DESIGN:

DATE: 06/16/2008

ECN NO.

A4  
SIZE



DRAWING NAME:  
9696

PART NO.:	REV.
USED ON	00

1

2

3

4